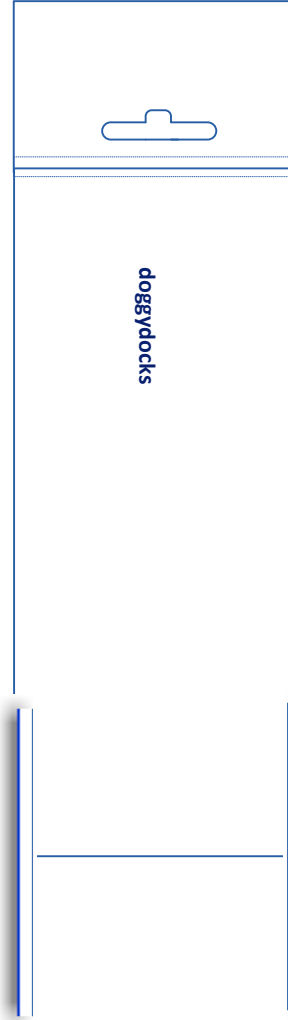


Original  
doggydocks®



Large  
doggydocks®

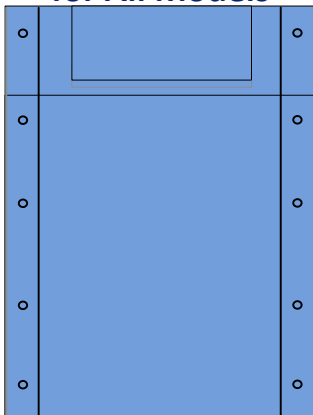


Use stabilizer bars to join doggydocks® and extension piece. Install screws in pre-drilled holes.

**NOTE:** Stabilizer Bars Do Not Float! We recommend securing with a strap when in use.

1 Piece Extension Kit

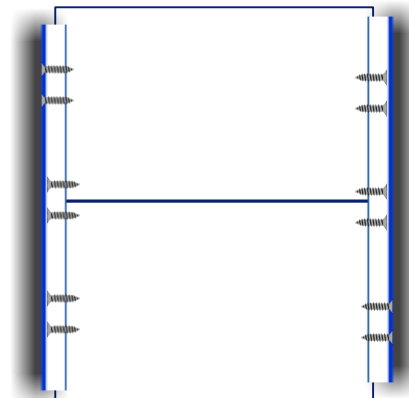
Snapbag™  
for All Models



PVC  
Coupler



2 Piece Extension Kit



**Step 1.** Install Swivel Cleat (As shown on page 3).

**Step 2.** Attach SnapBag by snapping to back of doggydocks.

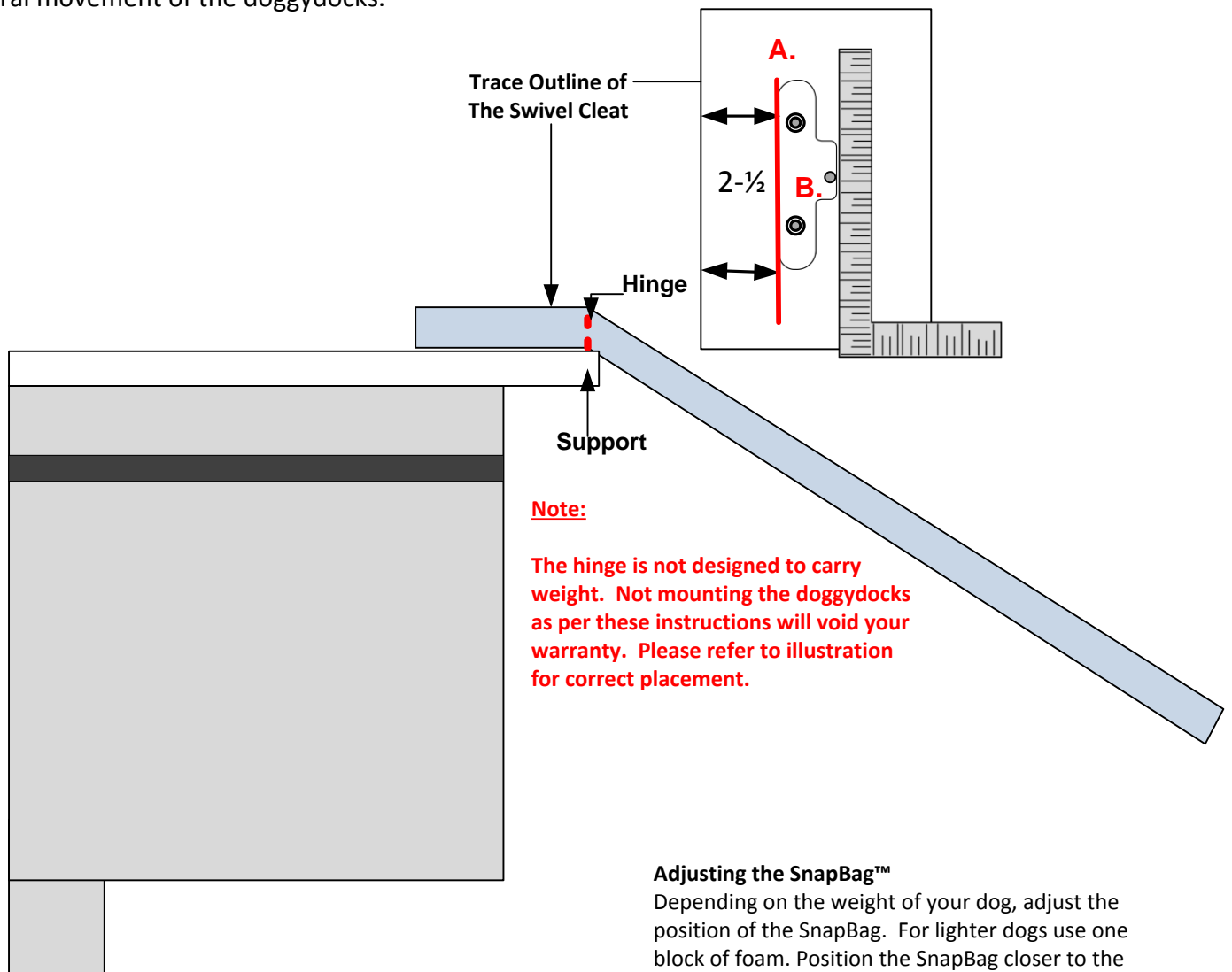
**Step 3.** With the Snapbag attached, slide doggydocks to the edge until it touches the water.

**Step 4.** Flip the doggydocks and place the cleat board over the Swivel Cleat.

**Step 5.** Once over the Swivel Cleat, loosen thumbscrew and turn top of SC 180°. Tighten thumbscrew so there is no lateral movement of the doggydocks.

Use a square and draw a line exactly 2-½" from the edge of the dock. Drawing A. Use the Swivel Cleat base Drawing B as a template. Trace the entire Swivel Cleat and mark the holes

Assemble the base. Insert threaded bolt and lock washer. Make sure the lock washer is set correctly or the wing nut will not tighten.



**Note:**

The hinge is not designed to carry weight. Not mounting the doggydocks as per these instructions will void your warranty. Please refer to illustration for correct placement.

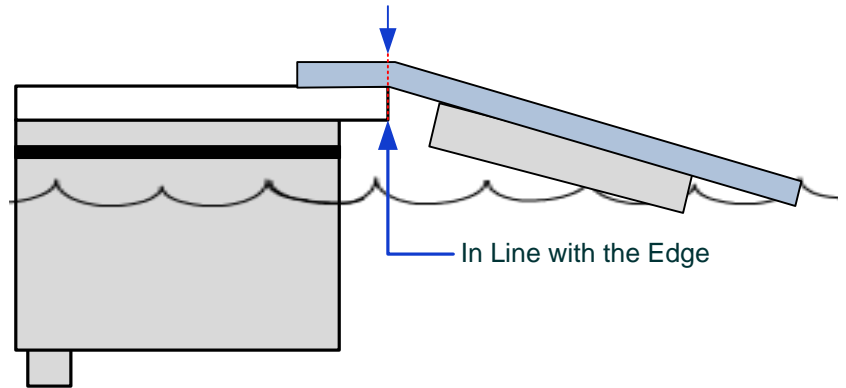
**Adjusting the SnapBag™**

Depending on the weight of your dog, adjust the position of the SnapBag. For lighter dogs use one block of foam. Position the SnapBag closer to the dock. For heavier dog's, position the SnapBag towards the end of the doggydocks.

**Setting up doggydocks®** The angle of the doggydocks® is determined by three factors.

- 1** The distance from the top of the dock to the top of the water. The greater the distance between the two, the greater the angle.
- 2** The weight of your dog.
- 3** the position of the SnapBag.

The ability for the angle to fluctuate and still allow dogs to walk up easily is accomplished by adjusting the floatation so that it prevents the doggydocks from becoming too steep. If the doggydocks® becomes too steep while your dog is moving and you have tried the floatation in several positions, Check the following. The distance from the dock and the weight of your dog. If your dog is over 55 Lbs and the distance is greater than 24", you may need an Extension Kit.



**Adjusting the doggydocks® Floatation Angle:**

The SnapBag™ will affect the slope. The ideal angle is 15° so that your dog does not have to try to "climb out" of the water. The doggydocks® is designed to simulate walking out on a gentle shoreline, not a steep embankment. Adjust the SnapBag™ so the end of the doggydocks® is approximate 6" to 10" below the surface.

**NOTE:**

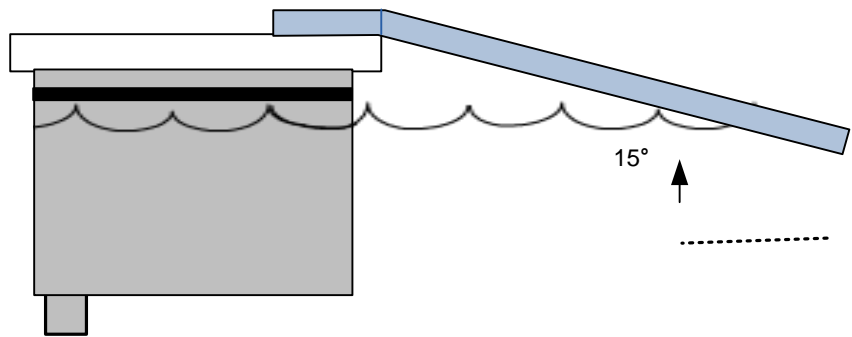
**Allow for 15% additional weight when dog is wet.**

**Dog Weight in Pounds:**

- 5 -10 Position the bag closer to the mounting location
- 10-30 Position the bag in the middle
- 30-65 Position one or two snaps closer to the end
- 65-85 Position approximately 12" from the end

**Step 2: Attaching the SnapBag™**

- B. Insert foam blocks into the SnapBag™
- B. Attach SnapBag™ to back of doggydocks.

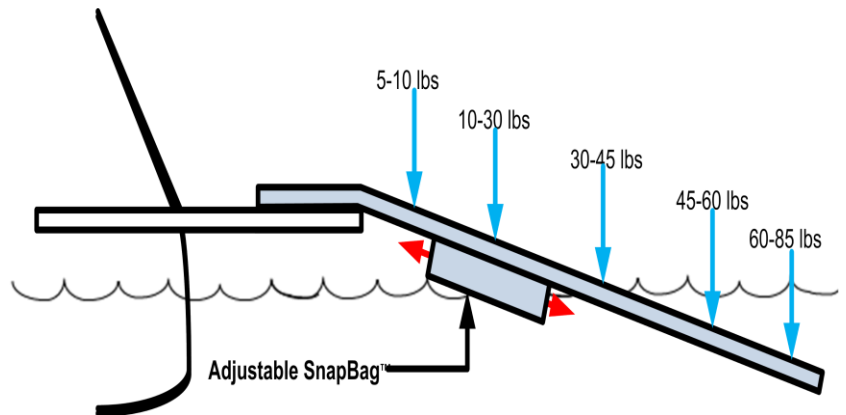


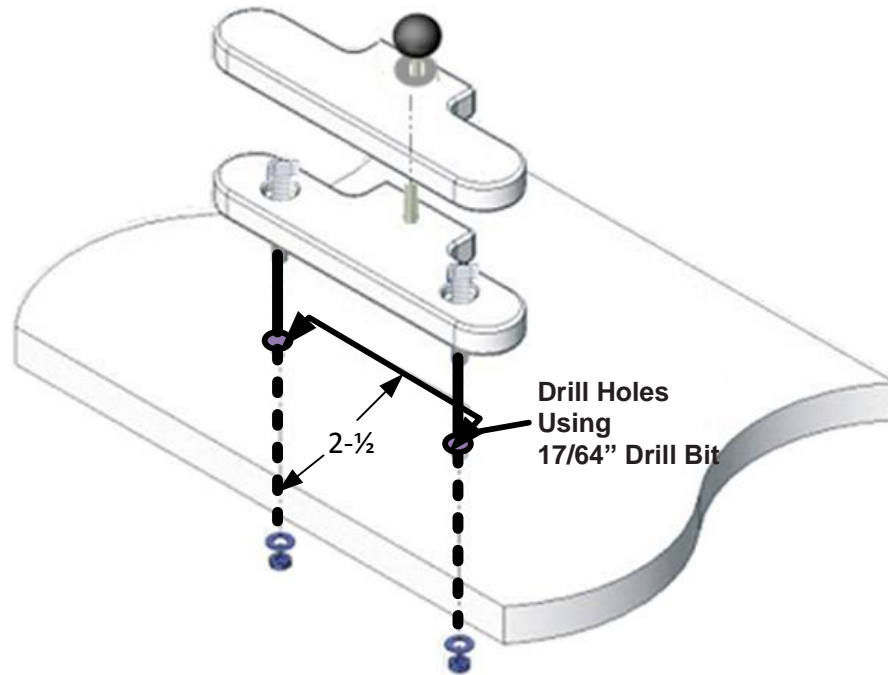
**Note:**

The SnapBag™ is adjustable to ensure proper "floatation angle" depending on the weight of the dog and the height of the mounting platform. This will require testing of different positions when attaching the SnapBag and/or removing or adding foam blocks to the SnapBag. Keep in mind that the way floatation performs will differ between salt water, fresh water in addition to the height variance of your mounting location.

**Disclaimer:**

Never leave your dog unsupervised in or around water. doggydocks® are not intended for use by humans, livestock or wildlife. doggydocks® are not intended as a personal floatation device or a life saving device for your dog. doggydocks® should always be used under adult supervision.





### Hardware Contents:

- 1) Swivel Cleat Base (Mounts to Dock or Swim Platform)
- 1) Swivel Cleat Top (Rotates and locks down doggydocks)
- 2) 5/16" Machine Thread Tap Bolts
- 2) 11/16" x 5/16" Flat Washers
- 2) 5/16" Nylon Insert Lock Nuts
- 1) ¼-20 Machine Thread Tap Bolt
- 1) ¼-20 Machine Tap Bolt
- 1) ¼-20 Flat Washer
- 1) ¼-20 Knob

### Mounting The Swivel Cleat

Remove hardware attached to the Swivel Cleat.

Measure and mark a line 2-½" to the edge. Place the Swivel Cleat base on the line and mark the holes to be drilled for bolts.

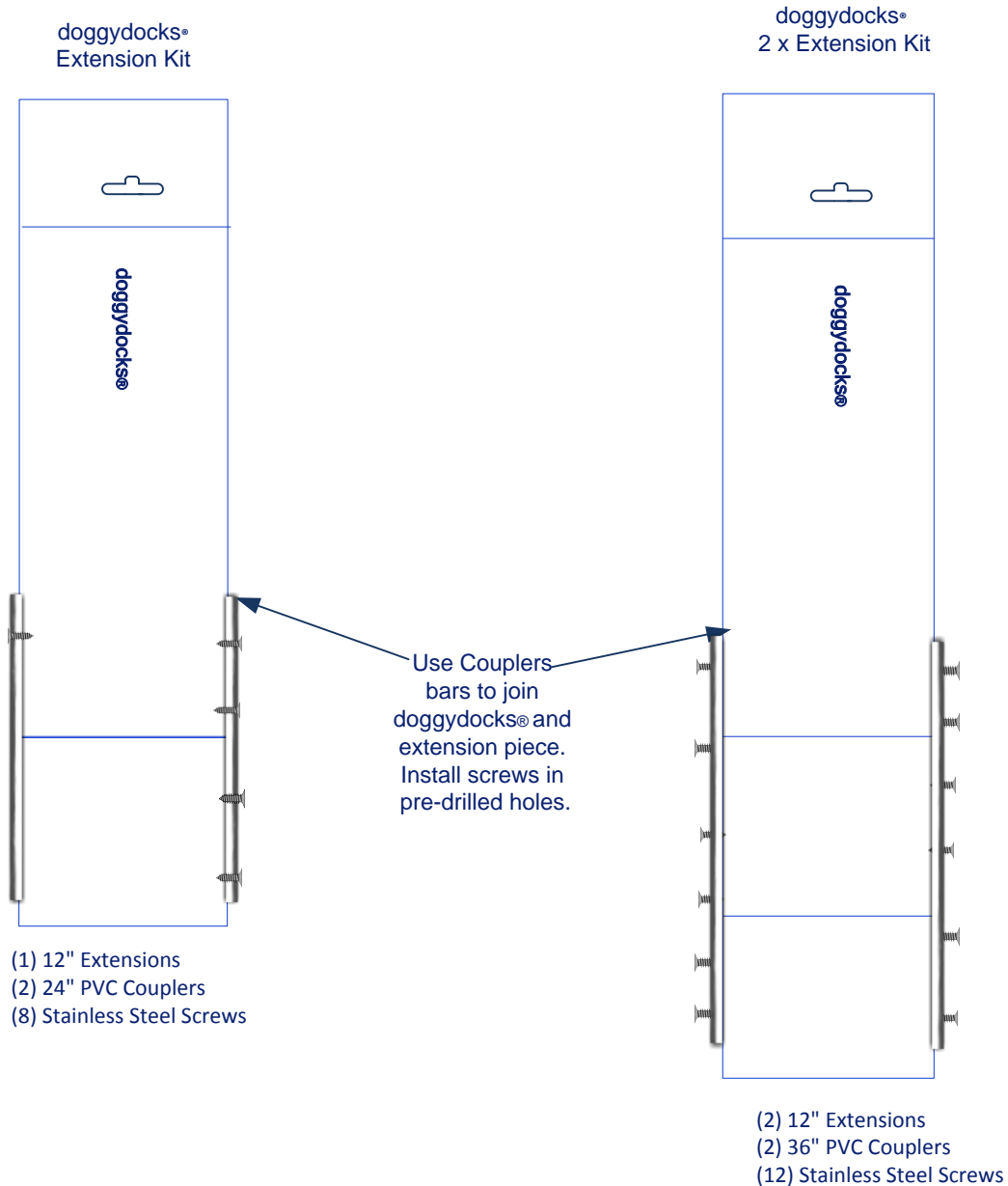
Make sure the doggydocks hinge is supported by the edge of the mounting area as shown in instructions

### Securing doggydocks®

1. Place the in the closed position.
2. Set doggydocks cleat board over swivel cleat.
3. Loosen knob and Rotate the top Swivel Cleat 180 degrees.
4. Tighten knob to secure doggydocks.

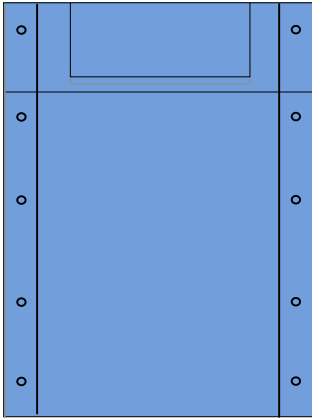
### **Placing the doggydocks® in the water**

Place the doggydocks® so that the carpeted side is down and the SnapBag™ is up. Carefully slide the doggydocks® into the water and flip it face down. Slip the Cleat Cut Out over the swivel cleat and tighten wing nut so there is no movement on the doggydocks.



**Securing Coupler Bars to Extensions**

Lay doggydocks on flat a flat surface. Align the extensions, so they are flush. Tap the coupler bar over the doggydocks and extensions. Once the coupler is on snug, use a small hammer to tap the bar so it has equal space with all three pieces. Be careful not to over tighten screw.



**The SnapBag™ Flotation System**

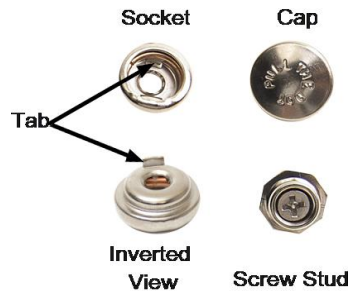
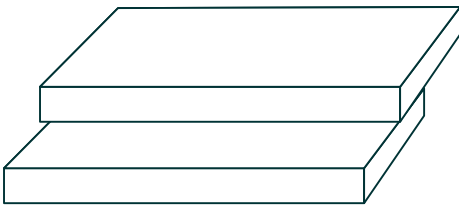
The SnapBag™ flotation system is designed to adapt to dogs of different weights and varying dock heights, ensuring optimal ramp performance and stability.

The SnapBag™ is a durable, sewn flotation bag that attaches to the back of the doggydocks® ramp using integrated snaps. These snaps connect securely to the mounting studs on the back of the ramp boards.

By repositioning the SnapBag™ along the available stud locations, you can easily adjust the ramp's flotation and angle based on:

- The weight of your dog
- The height of your dock above the water
- Changes in water level

Inside the SnapBag™ are two foam flotation blocks. For additional customization, one of the foam blocks can be removed to reduce buoyancy, allowing for fine-tuned adjustment depending on your specific setup.



**SnapBag™ Construction & Snap Fasteners**

The SnapBag™ is constructed from a premium, UV-resistant marine-grade fabric designed to withstand prolonged exposure to sun, water, and harsh outdoor conditions.

**Pull-the-DOT® Locking Snap Fasteners**

The SnapBag™ uses Pull-the-DOT® heavy-duty locking snap fasteners for a secure and reliable connection to your doggydocks® ramp.

These snaps are designed with a directional, three-sided locking system, meaning:

The snap will hold firmly under pressure from three sides

It will only release when pulled from the correct side

**Important:**

Pull-the-DOT® snaps can feel very tight when new and may require a short break-in period. With regular use, they will become easier to open and close.

**How to Open the Snap**

Locate the side of the snap with the raised “dot” (Pull-the-DOT® marking)

Pull from this side only. The snap will release easily when pulled in the correct direction

**How to Close the Snap**

Align the snap components. Press the lip side down first. Then press the protruding (dot) side until it fully engages

**Identifying the Pull Direction**

The “dot” is formed during manufacturing when the cap and socket are joined. The socket includes a small internal tab that creates a raised bump on the cap—this bump indicates the correct side to pull when opening the snap.

*Pull-the-Dot snaps* can be very tight, and they do require a short break in period. With time, the *snap* will become easier to *open* and close,

**Pull-the-DOT® Locking Snap Fasteners**

Is a directional, heavy-duty, three-sided, locking snap fastener. It is designed to withstand extreme pressure on three sides without unlocking. When pulled on the fourth side, where the Pull-The DOT® trademark appears, the fastener releases instantly. Pull from the protrusion side to open. Close the snap by closing the lip side first and then the protrusion side.

The "dot" for pulling will be formed when the cap is joined with the socket (part number 4092). The socket has a small tab that will create a small bump or "dot" in the cap when the two are joined

**Important:**

Pull-the-DOT® snaps can feel very tight when new and may require a short break-in period. With regular use, they will become easier to open and close.

**How to Open the Snap**

Locate the side of the snap with the raised “dot” (Pull-the-DOT® marking)

Pull from this side only. The snap will release easily when pulled in the correct direction

**How to Close the Snap**

Align the snap components. Press the lip side down first. Then press the protruding (dot) side until it fully engages

**Identifying the Pull Direction**

The “dot” is formed during manufacturing when the cap and socket are joined. The socket includes a small internal tab that creates a raised bump on the cap—this bump indicates the correct side to pull when opening the snap.

*Pull-the-Dot snaps* can be very tight, and they do require a short break in period. With time, the *snap* will become easier to *open* and close,

**Pull-the-DOT® Locking Snap Fasteners**

Is a directional, heavy-duty, three-sided, locking snap fastener. It is designed to withstand extreme pressure on three sides without unlocking. When pulled on the fourth side, where the Pull-The DOT® trademark appears, the fastener releases instantly. Pull from the protrusion side to open. Close the snap by closing the lip side first and then the protrusion side.

The "dot" for pulling will be formed when the cap is joined with the socket (part number 4092). The socket has a small tab that will create a small bump or "dot" in the cap when the two are joined